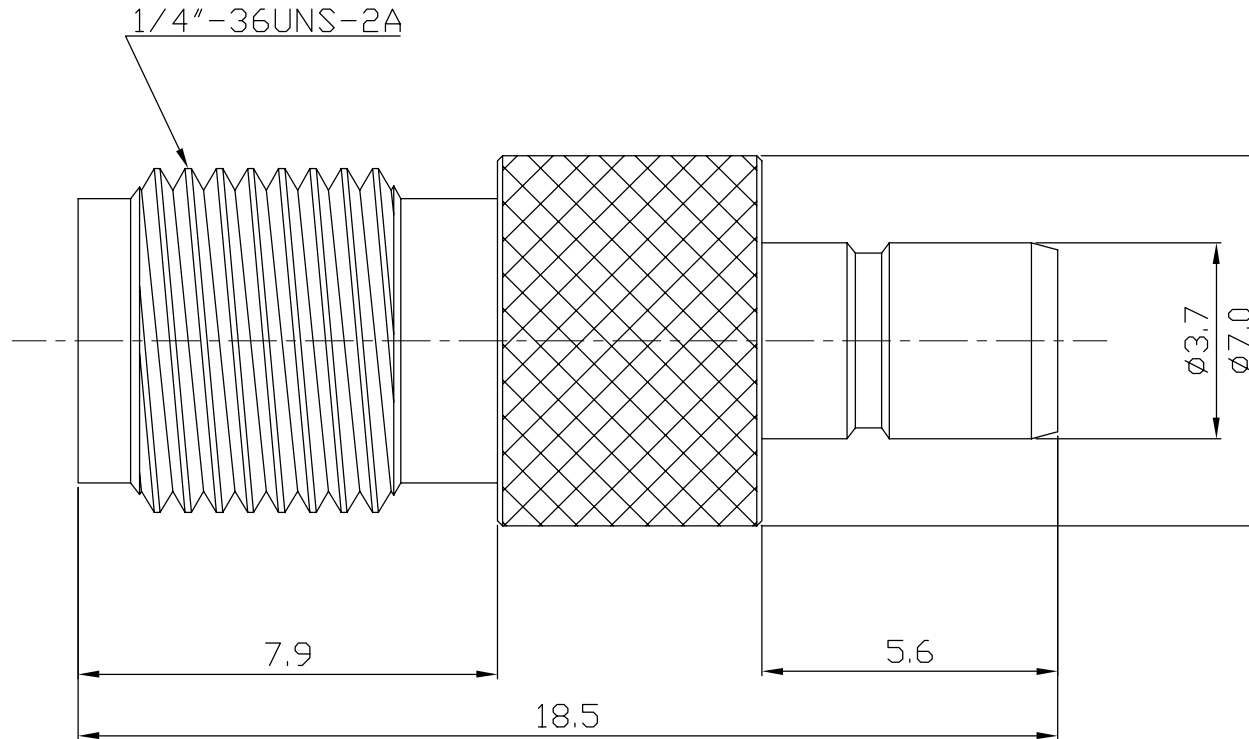


ROHS COMPLIANCE

DATE	DESCRIPTION	REV
17.12.19	NEW RELEASE	NA



DO NOT SCALE DRAWING

NO	Description	Q'ty	Material	Finish
5	PIN	1	PHOSPHOR BRONZE	GOLD
4	INSULATOR II	1	PTFE	WHITE
3	INSULATOR I	1	PTFE	WHITE
2	BODY II	1	BRASS	GOLD
1	BODY I	1	BRASS	GOLD

Proprietary Note
 This document contains information proprietary to WEIJE, which is either copyrighted, or patent applied for, and/or protected by trade secret laws.
 This document or parts thereof, may not be used, disclosed or reproduced in any method, or for any purpose, without the written permission of WEIJE, Taiwan.

MAJOR DIMENSIONS		
UNLESS OTHERWISE NOTED TOLERANCES		
-0.5-±0.05		
0.5-6-±0.1		
6-30-±0.2		
30-120-±0.3		
120-315-±0.5		
315-1000-±0.8		
1000-2000-±1.2		
ANGLES-±1°		
SCALE	7:1	UNIT mm

APPROVED BY

 CHECKED BY
Fyun Liang
 DRAWING BY
Wong Jih Lyong
 DATE
2018/01/03

OLD DRAWING NO
CH-7854

THIRD ANGLE PROJECTION

DRAWING NO
S-054-1TGG

TITLE
SMA JACK TO SMB JACK ADAPTER

WEIJE ELECTRONICS CO., LTD.

REV.
NA