

EP910w OPERATIONAL CRITICAL WIRELESS EARPIECE PTT PMLN8123_

Congratulations on your new Motorola Solutions Operation Critical Wireless (OCW) Earpiece PTT! This earpiece device is designed to allow you the convenience of Bluetooth technology by enabling you to comfortably wear it for long periods of time. Furthermore, the Bluetooth earpiece is exclusively designed with PTT functionality for business radio applications and optimized to work with Motorola Solutions two-way radio and Motorola Solutions applications. This user guide contains the operation and pairing instructions of the earpiece. Before getting started, please make sure you read and understand the RF and Acoustic Safety sections, which contain very important information about this product.

FOREWORD

Product Safety and RF Exposure Compliance



Before using this product, read the operating instructions for safe usage contained in the RF Energy Exposure and Product Safety Guide enclosed with your radio.

ATTENTION!

The radio is restricted to occupational use only to satisfy ICNIRP/FCC RF energy exposure requirements. Before using this product, read the RF energy awareness information and operating instructions in the RF Energy Exposure and Product Safety Guide booklet enclosed with your radio (Motorola Solutions Publication part number 6881095C98 (US) or 6864117B25 (EMEA)) to ensure compliance with RF energy exposure limits. This device complies with part 15 of the FCC Rules and Industry Canada license-exempt RSS standard (s). Operation is subject to the following two conditions: (1) This device may not cause harmful interference, and (2) this device must accept any interference received, including interference that may cause

undesired operation. (3) Changes or modifications made to the device, not expressly approved by Motorola Solutions, could void the authority of the user to operate this device.

Battery Information:

Battery is shipped with a nominal charge between 30% and 50%. Battery should be stored between -10 °C (14 °F) and 30 °C (86 °F) to minimize permanent capacity loss.

Caution: Storing your fully charged accessory in high-temperature conditions may permanently reduce the life of the internal battery.

Note: The battery is not a user replaceable part.

Important Information:

- Do not charge your accessory in temperatures below 0 °C (32 °F) or above 45 °C (113 °F). Do not store your accessory in direct sunlight or where expected temperatures can exceed this range such as inside a parked car.
- Storing your fully charged accessory in high-temperature conditions may permanently reduce the life of the internal battery.
- Battery life may temporarily shorten in low temperature conditions.

ACOUSTIC SAFETY

Exposure to loud noises from any source for extended periods of time may temporarily or permanently affect your hearing. The louder the radio's volume, the less time is required before your hearing could be affected. Hearing damage from loud noise is sometimes undetectable at first and can have a cumulative effect.

To protect your hearing:

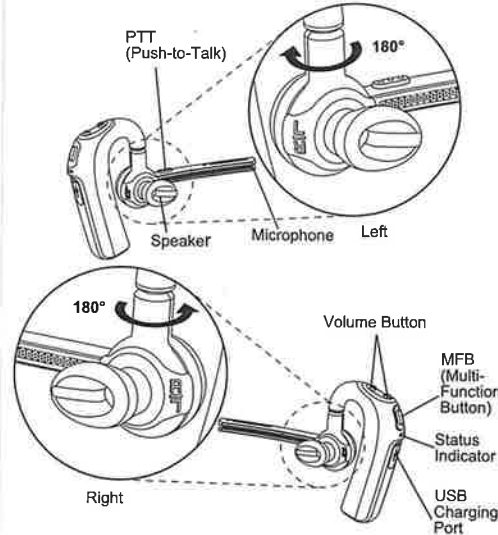
- Use the lowest volume necessary to do your job.
- Turn up the volume only if you are in noisy surroundings.
- Turn down the volume before adding headset or earpiece.

- Limit the amount of time you use headsets or earpieces at high volume.

GETTING STARTED

Before you start, make sure that the earpiece is fully charged. Recommended charging time is two (2) hours.

OPERATIONAL CRITICAL WIRELESS EARPIECE PTT OVERVIEW



POWER ON/OFF YOUR DEVICE

To power on the device:

Press the MFB button for 2 to 3 seconds. LED flashes blue for 7 cycles. You hear a voice prompt "Battery High", "Battery Medium", or "Battery Low" depending on the battery level.

To power off the device:

Press the MFB button for more than 3 seconds. LED flashes blue for seven cycles. You hear a voice prompt "Power Off". The LED turns off.

PAIRING YOUR DEVICE

To put device into discoverable mode for pairing:

- Press MFB to power on the device and do not release until you hear "Pairing".

Note: The character string "EP910W_xxxx" is the device name for the PMLN8123_. "xxxx" is the last 4 digits of Bluetooth address.

- Blue LED flashes alternatively.
- Device remains in discoverable mode for 180 seconds. Host completing the process successfully connects to the device.

If you cannot connect to the earpiece:

- Turn off your radio Bluetooth function and turn on again.
- Restart your radio, try to pair and reconnect.

For more information about this product, please contact your Motorola Solutions Authorized Dealer or visit us at: www.motorolasolutions.com/bluetoothaccessories

Refer to manual MN007426A01 for other languages: <https://learning.motorolasolutions.com/>

NOTES

REPLACEMENT PARTS

Part Number	Description
PMLN7940_	Small Earbud for OCW BT PTT
PMLN7941_	Large Earbud for OCW BT PTT
PMLN8036_	Small Round Earbud For OCW BT PTT
PMLN8037_	Medium Round Earbud For OCW BT PTT
PMLN8038_	Large Round Earbud For OCW BT PTT



Operation	Activation	LED	Tone	Prompt
Idle	-	Solid Blue	-	-
Reconnecting	-	Heart beat Blue	-	Lost Connection
Critical Low Battery	-	-	-	Power Off
Clear Pairing	Press MFB and Vol- (>3s)	Yellow LED-Blink twice	Double Tone	-
Push to Talk	Press PTT	-	-	-

When earpiece detects low battery, the current LED color changes from blue to red, and a "Battery Low" prompt sounds periodically.

CHARGING YOUR DEVICE

Plugging in the USB charging cable to the device triggers charging activity. LED color remains red throughout the charging process and turns into solid green when battery is fully charged. Device must be turned off during charging.

WARRANTY

Motorola Solutions offers a standard one year warranty. Contact your Motorola Solutions dealer for detailed information on the standard warranty.

Note: Warranty is void after customer replacement of any parts other than replacement parts listed.