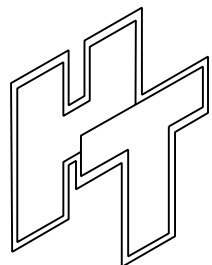
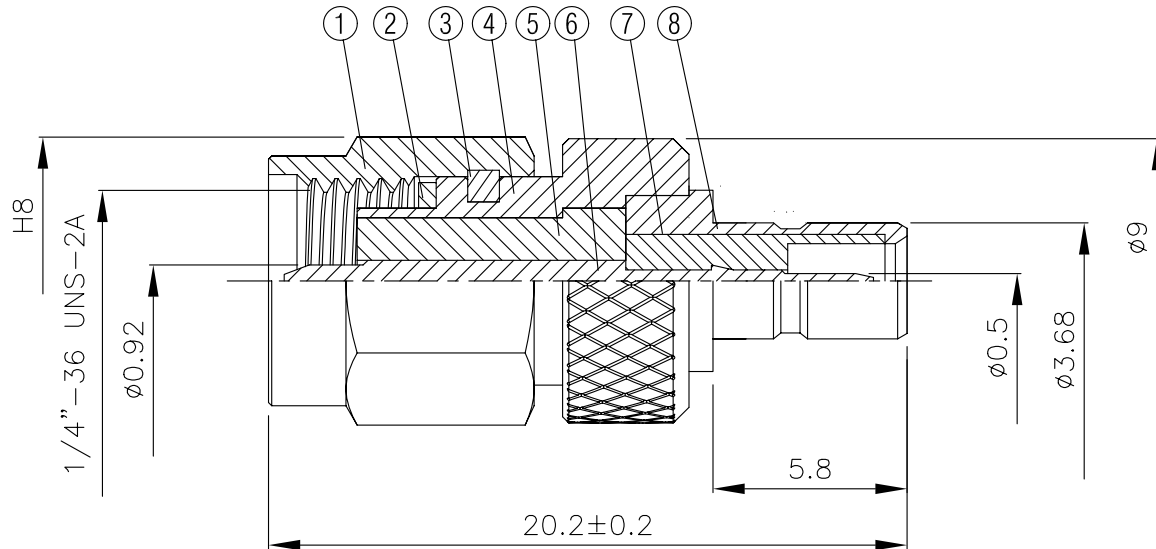
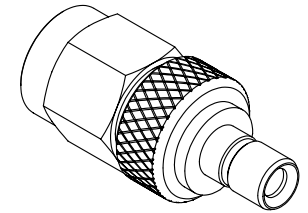


NO	DESCRIPTION	MATERIAL	QTY	FINISH	REMARK
1	BODY 1	BRASS	1	GOLD	B-SMA0043-G
2	GASKET	SI RUBBER	1	RUBBER	RU-0008
3	WASHER	PH.BRONZE	1	GOLD	W-0012
4	BODY 2	BRASS	1	GOLD	B-SMA0614-G
5	INSULATION 1	TEFLON	1	TEFLON	I-0286T
6	PIN	PH.BRONZE	1	GOLD	P-SMB0403-G
7	INSULATION 2	TEFLON	1	TEFLON	I-0058T
8	BODY 4	BRASS	1	GOLD	B-SMB0266-G



HUS-TSAN GROUP CO., LTD.

P.O. BOX 40-76. TAINAN. TAIWAN, R.O.C.

TITLE SMA MALE - SMB MALE ADAPTOR

PART NO. SMA-61-TGG

DRAWING NO. SMA 61 TGG

DRAWN MARY

DATE 96.03.29

CHECKED 黃巧君

DATE

Q.A. 蘇姿潔

DATE

APPROVAL 徐燦霖

DATE

REVISION

DATE

DIMENSIONS ARE IN MILLIMETERS

UNLESS OTHERWISE SPECIFIED TOLERANCE

0.5-5=±0.2 120-315=±1

5-30=±0.4 315-1000=±1.6

30-120±0.6 1000-2000=±2.4

SCALE 4:1 SIZE A

REVISION

DESCRIPTION	ENGINEER