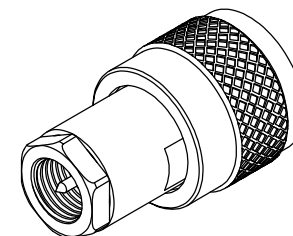
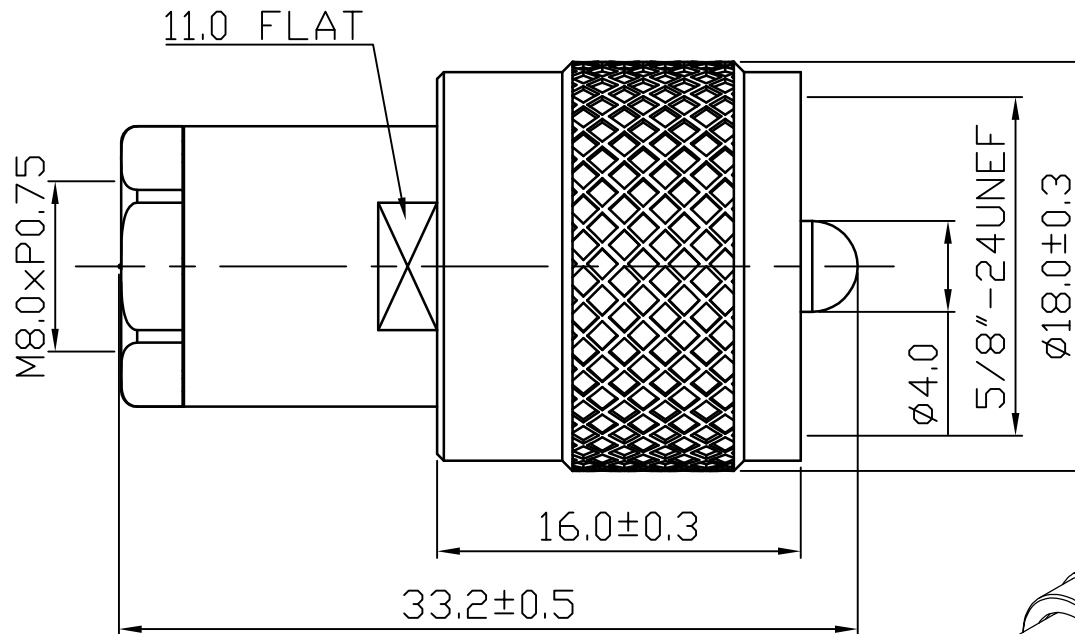
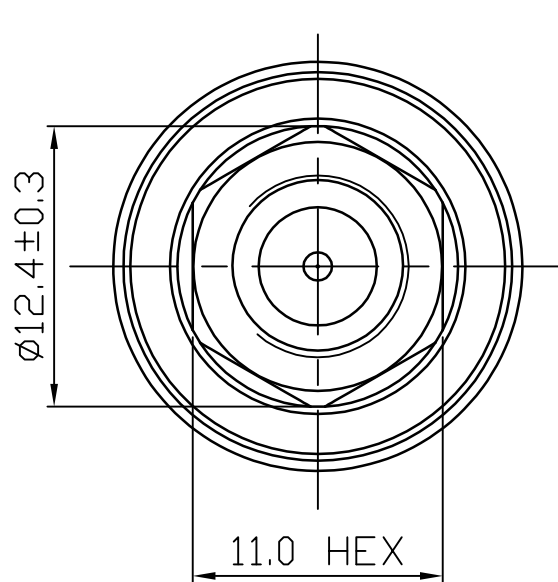


ROHS COMPLIANCE

DATE	DESCRIPTION	REV
13.10.09	NEW RELEASE	A



DO NOT SCALE DRAWING

NO	Description	Q'ty	Material	Finish	Part Number
5	NUT	1	BRASS	NICKEL	
4	PIN	1	BRASS	GOLD	
3	INSULATOR	2	POM	WHITE	
2	SHELL	1	BRASS	NICKEL	
1	BODY	2	BRASS	NICKEL	

UNLESS OTHERWISE SPECIFIED  
 1. REMOVE ALL BURRS.  
 2. BREAK ALL CONNERS & EDGES CO. 15 MAX.  
 3. CHAMFER 1ST & LAST THREADS 45°.  
 4. DIAMETERS ON COMMON CENTERS.  
 TO BE CONCENTRIC WITHIN 0.01 T. I. R.  
 5. ALL DIMENSIONS ARE AFTER PLATING.

MAJOR DIMENSIONS  
 UNLESS OTHERWISE NOTED TOLERANCES  
 0.5-6=±0.2  
 6-30=±0.4  
 30-120=±0.6  
 ANGLES=±5°

APPROVED BY  
 CHECKED BY  
 DRAWING BY  
*Sheng*  
 DATE 2013/10/09

DRAWING NO  
**410-209**  
 TITLE  
**FME MALE TO UHF MALE ADATPER**  
 REV. **A**

8 7 6 5 4 3 2 1