
INTRODUCTION

1. GENERAL DESCRIPTION

| Model No |
|----------|
| EA-247T |

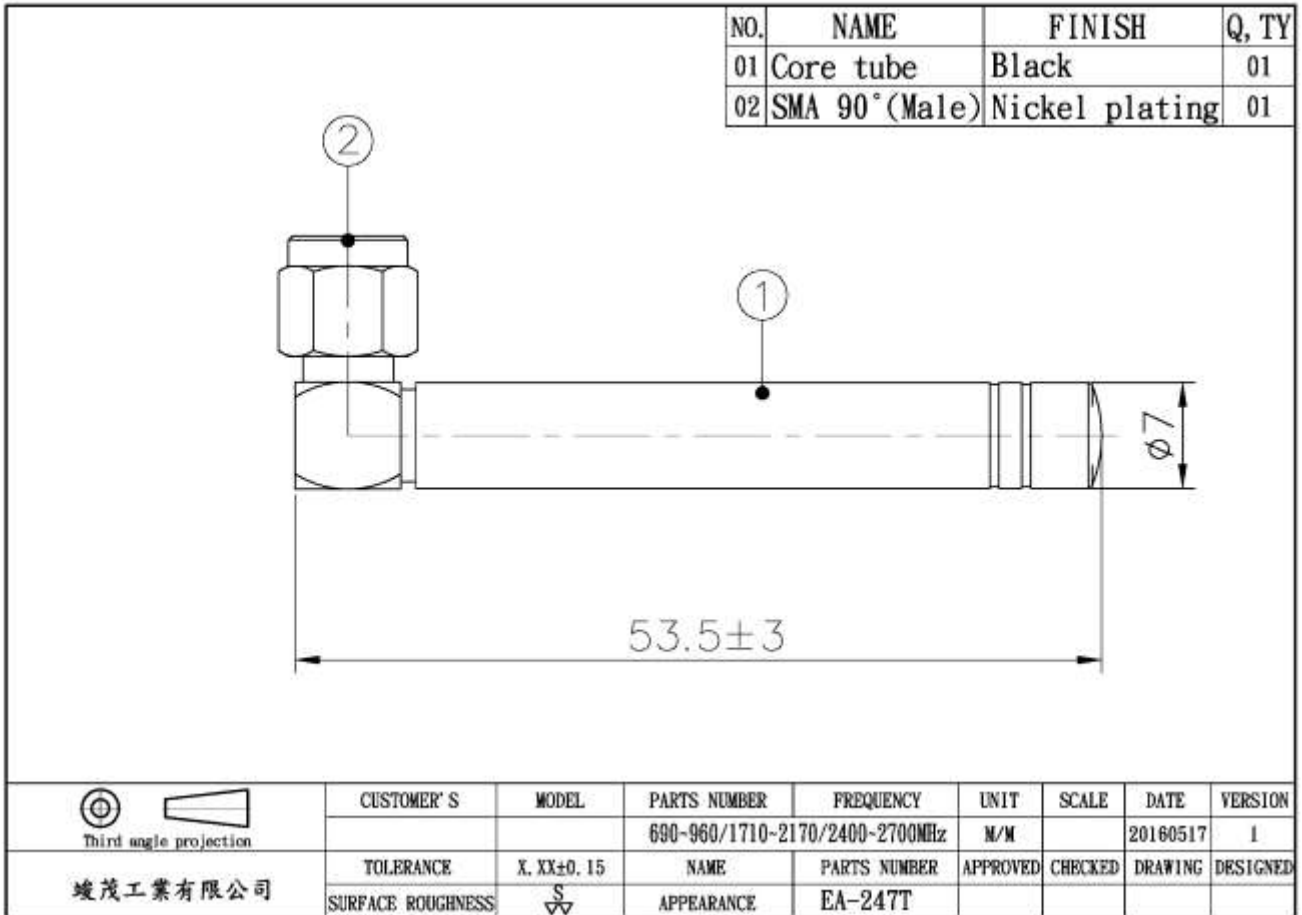
1.1 Electrical Properties

| Parameter | Description |
|-------------------|--------------------------------|
| Frequency Band | 690~960/1710~2170/2400~2700MHz |
| Nominal Impedance | 50 ohm |
| Polarization | Vertical |
| V.S.W.R | 6.6 : 1 |

1.2 Mechanical Properties

| Parameter | Description |
|-----------------------------|------------------|
| Antenna Type | External Antenna |
| Antenna Material | PU |
| Touch Type | Screw Type |
| Connector Type | SMA 90°(Male) |
| Antenna Dimensions | 53.5mm ± 2 |
| Antenna Color | Black |
| Operating Temperature Range | -20°C~+60°C |
| Storage Temperature Range | -30°C~+70°C |

2. Appearance



3. Return Loss, V.S.W.R.

