

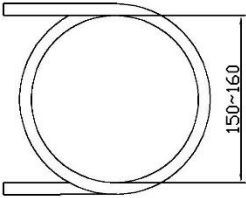
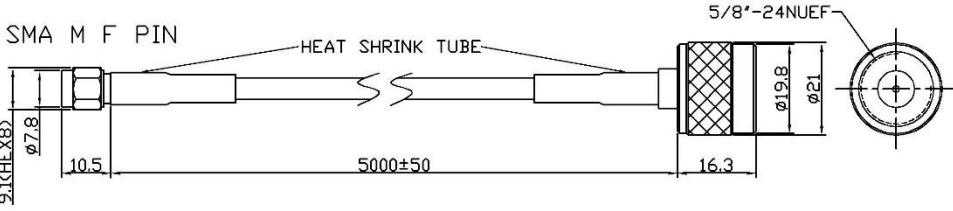
# Specification

1. Product Type: ADAPTER CABLE
2. Part No: 201-604
3. Frequency: 1~6 GHz
4. Cable: FT200
5. Connector: RP SMA M & N M

✂️RoHS Compliant

Cable	FT-200	<div style="border: 1px solid black; padding: 5px; display: inline-block;"> <b>ROHS</b>                  ISO 9001                  ISO 14001             </div>
ØD	Ø5.0±0.1mm	
Cover	Black	
RP SMA M	Ni	
N M	Ni	

Material:		Treatment:		TRANSVOICE			
Drawer	Design	Aprav	Tolerance	Unit: mm		TITLE	RP SMA M+FT-200+N M
			X=±0.5	Ver: A	Scale 1:1	Model NO	201-604
			.X=±0.2	File NO: QR0402		Drawing NO	100-27001-269
			.XX=±0.1				
			.XXX=±0.05				

Frequency (MHz)	VSWR	Return Loss (dB)	Insertion Loss (dB)
1000	1.11	-25.81	-1.98
2000	1.12	-25.37	-2.99
3000	1.11	-25.57	-3.75
4000	1.12	-24.83	-4.50
5000	1.10	-25.76	-5.29
6000	1.10	-25.70	-5.84

### Test Report(Return Loss & VSWR)(GNSS)

